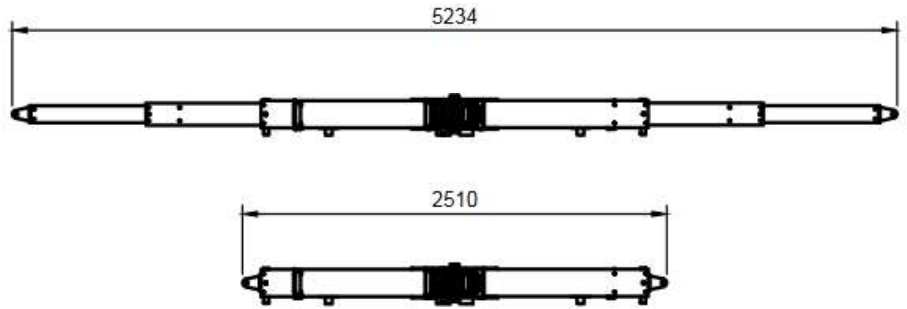
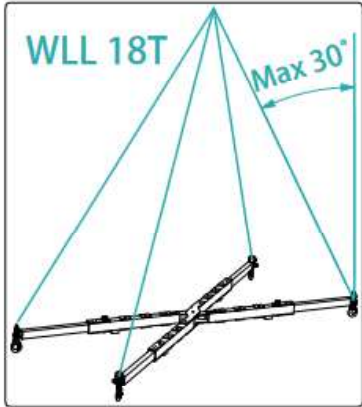


X18+



Max Load: 18 ton
Material: Aluminium/Steel
Net Weight: 138 kg

For larger lifting angles the maximum load needs to be limited as follows:

45° = 10 tn max.

